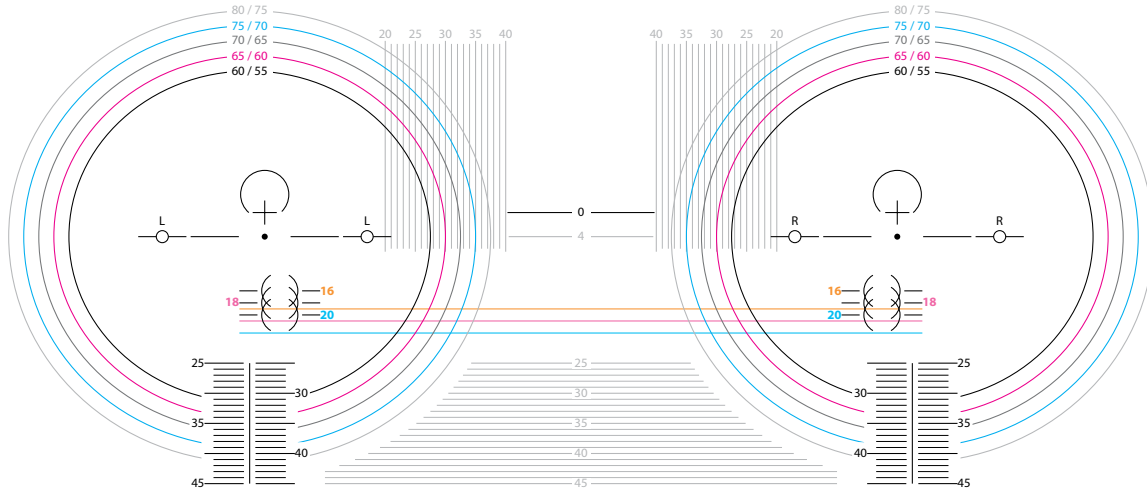


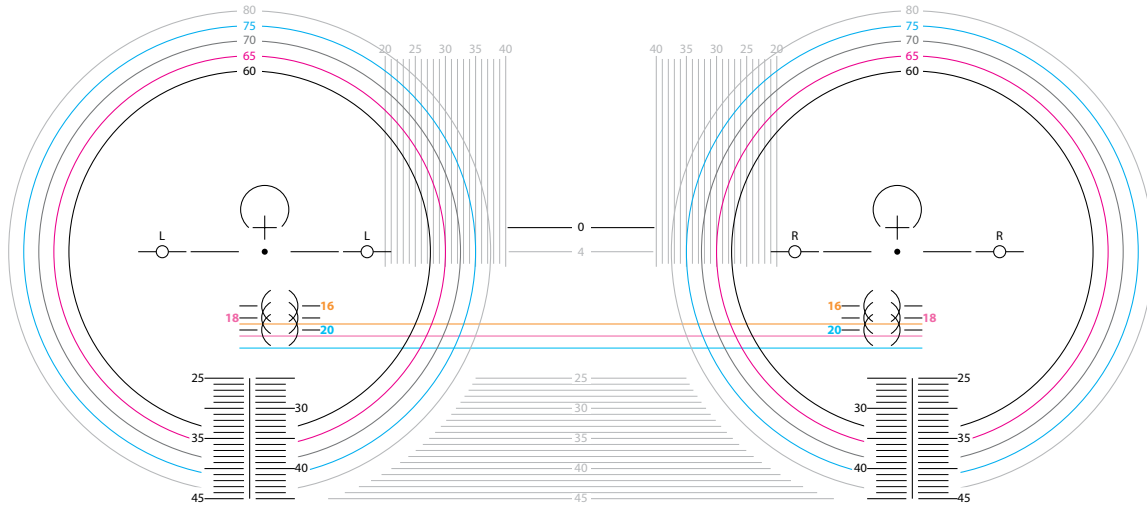


**CENTERING CHART FOR PROGRESSIVE OPTIMA HD/DYNAMIC HD/INDOOR HD**





**CENTERING CHART FOR PROGRESSIVE OPTIMA HD / DYNAMIC HD / INDOOR HD**



**OPTIMA HD**

**DYNAMIC HD**



**INDOOR HD**

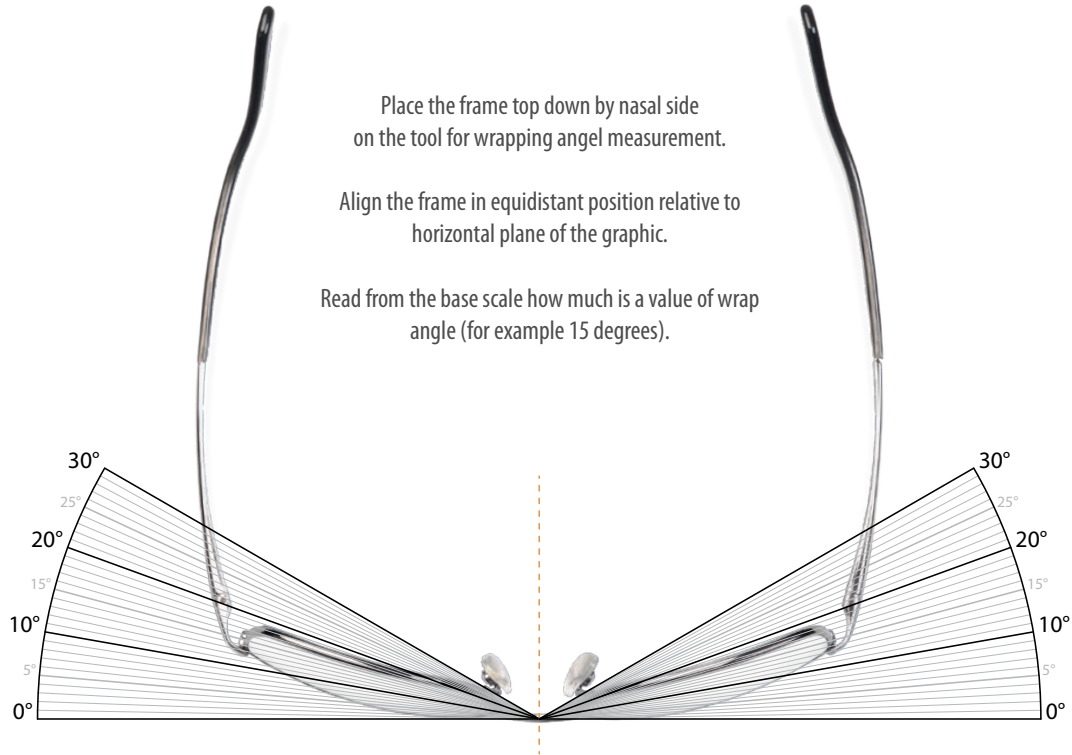


## MEASUREMENT OF FRAME CURVATURE ANGLE

Place the frame top down by nasal side  
on the tool for wrapping angle measurement.

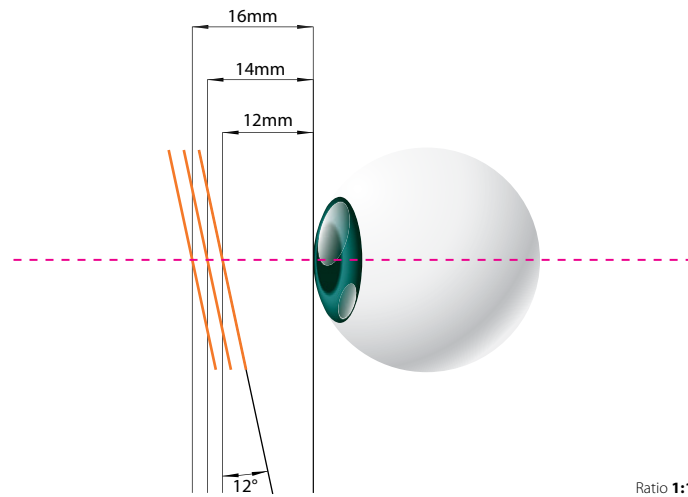
Align the frame in equidistant position relative to  
horizontal plane of the graphic.

Read from the base scale how much is a value of wrap  
angle (for example 15 degrees).



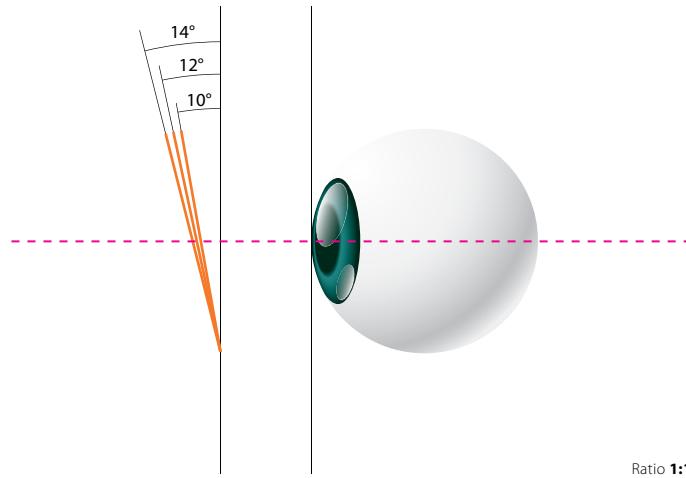


**GRAPHIC FOR MEASUREMENT OF VERTEX DISTANCE**





**GRAPHIC FOR MEASUREMENT OF PANTOSCOPIC TILT ANGLE**





NOTES

