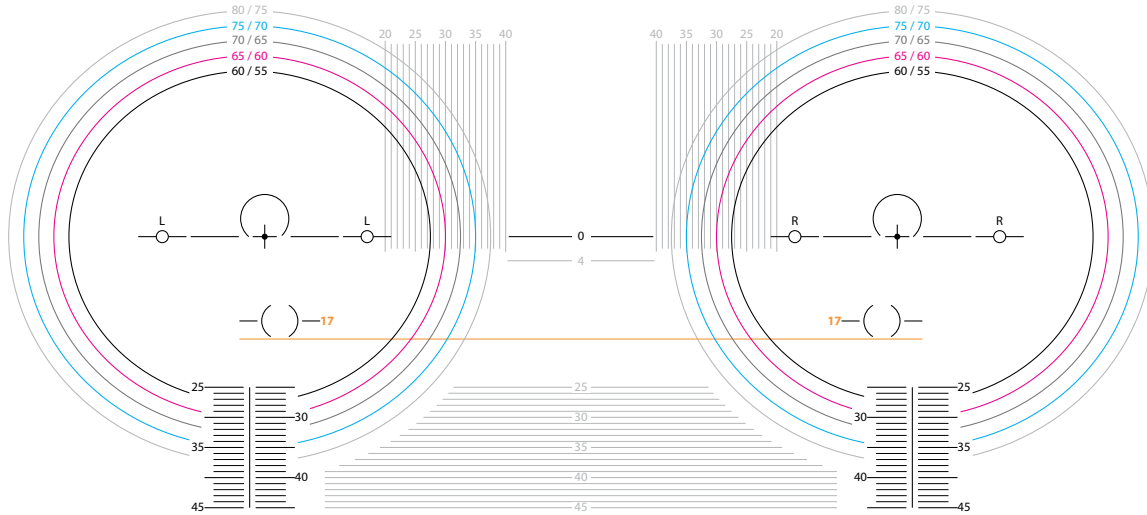


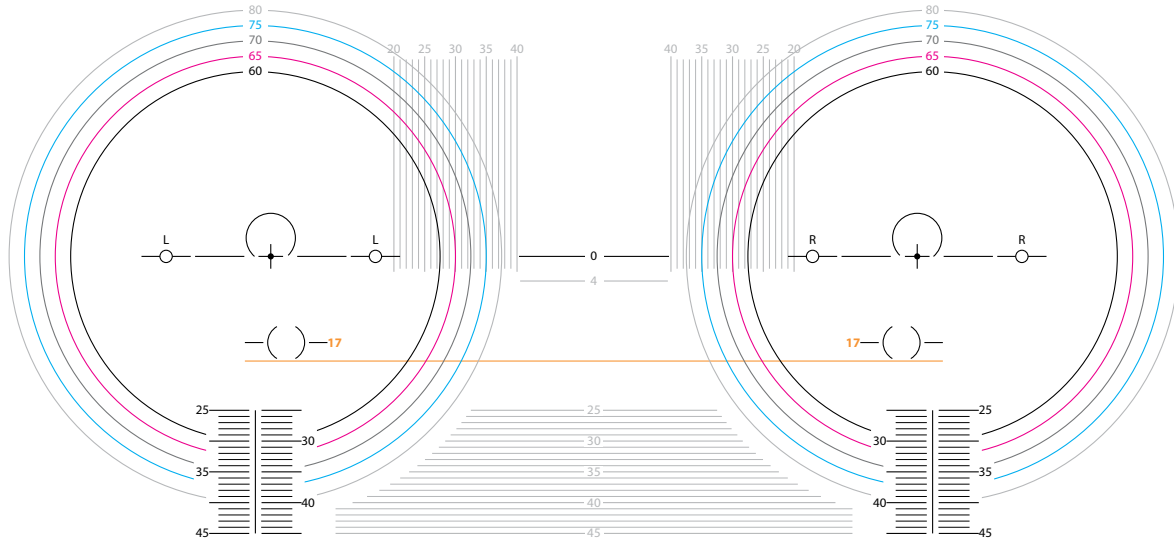


CENTERING CHART FOR PROGRESSIVE OFFICE





CENTERING CHART FOR PROGRESSIVE OFFICE



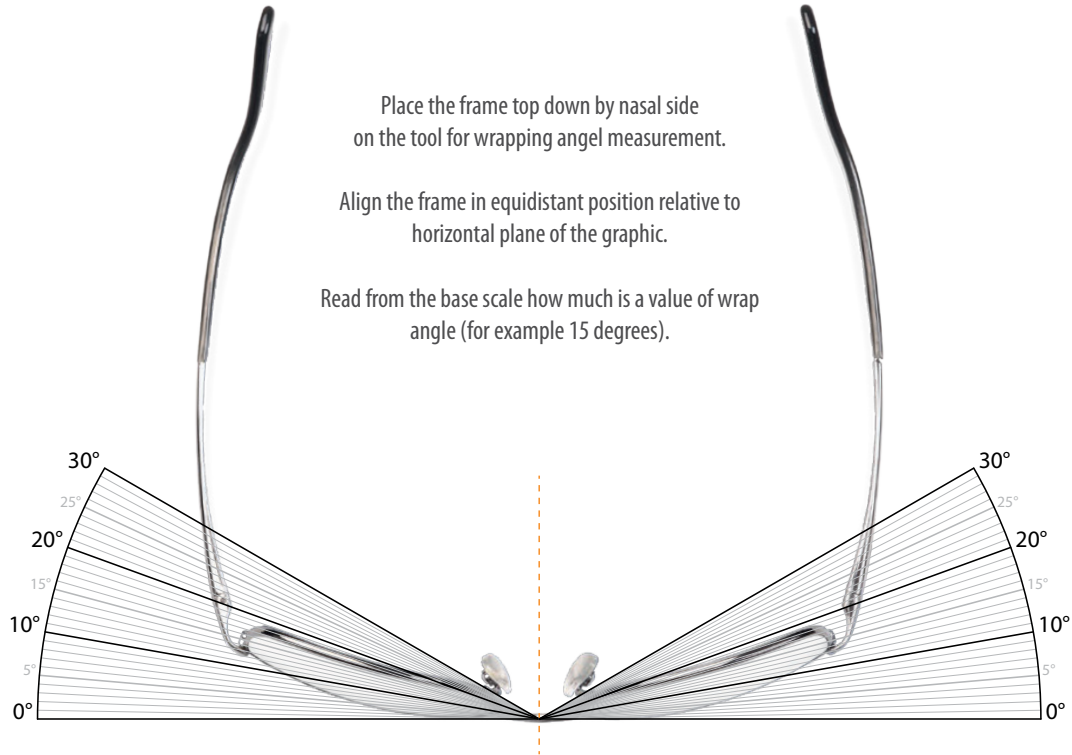


MEASUREMENT OF FRAME CURVATURE ANGLE

Place the frame top down by nasal side
on the tool for wrapping angle measurement.

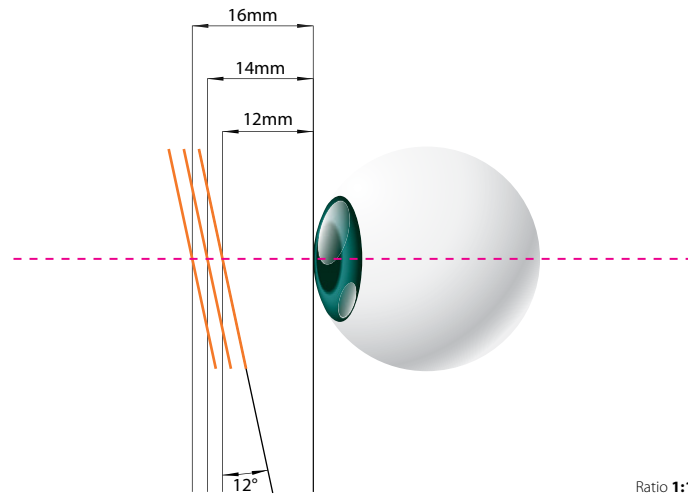
Align the frame in equidistant position relative to
horizontal plane of the graphic.

Read from the base scale how much is a value of wrap
angle (for example 15 degrees).



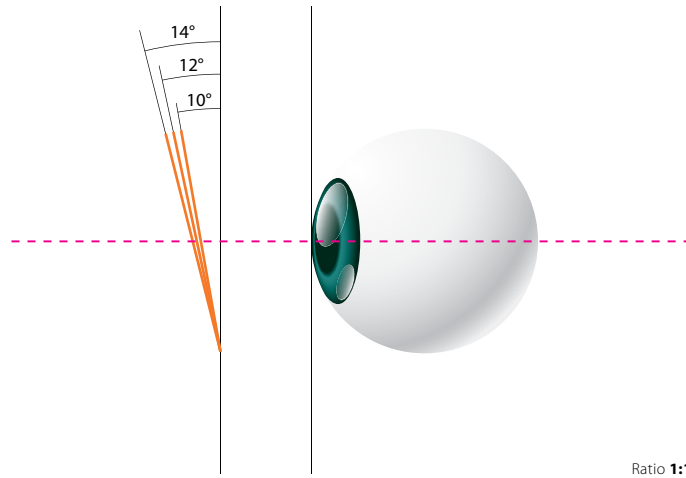


GRAPHIC FOR MEASUREMENT OF VERTEX DISTANCE





GRAPHIC FOR MEASUREMENT OF PANTOSCOPIC TILT ANGLE





NOTES

